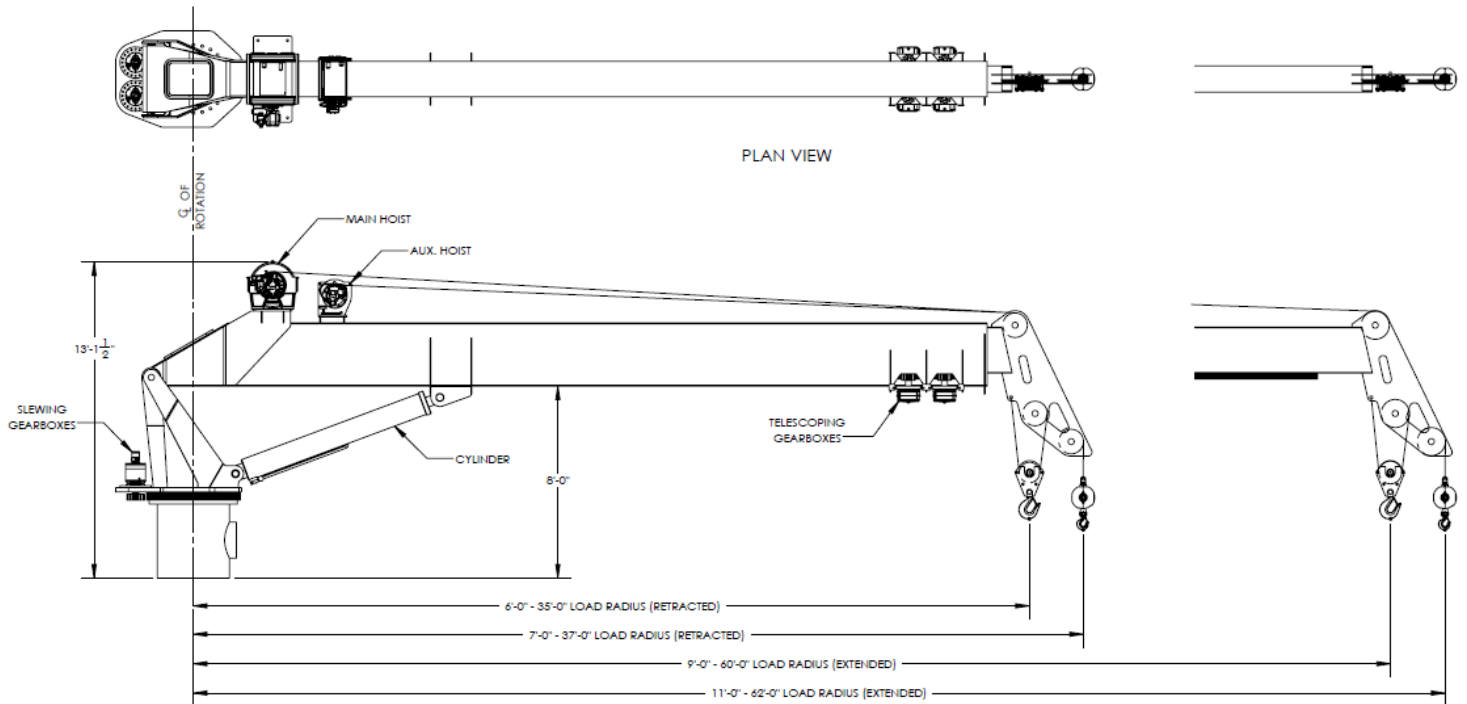




## MODEL GC10-S TELESCOPIC BOOM CRANES



STANDARD EQUIPMENT:
GCS CRANES ARE LICENSED MONOGRAMMED CRANES UNDER API-2C SPECIFICATIONS.
CRANE MOUNTED WALK AROUND CONTROLS.
HYDRAULIC LOAD INDICATOR .
PLANETARY SWING MECHANISM WITH ADJUSTABLE MOUNT, HIGH TORQUE MOTOR AND AUTOMATIC SPRING APPLIED BRAKES.
DOUBLE HYDRAULIC SWIVEL FOR CONTINUOUS ROTATION.
INDUCTION HARDENED CHROME PLATED CYLINDER RODS.
MANWAY WITH BOLTED COVER.
LOAD LINE WINCH IS DESIGNED FOR PERSONNEL HANDLING.
HYDRAULIC ANTI TWO - BLOCK.
BEVELED PEDESTAL ( WELD DOWN TYPE ).
THREE COAT MARINE PAINT SYSTEM.
ANTI-FRICTION BEARINGS IN THE SHEAVES.
GREASELESS BUSHINGS ON ALL PIVOTING POINTS.
FACTORY ASSEMBLED AND LOAD TESTED PER API SPEC. 2C OR OTHER REGULATORY REQUIREMENTS BEFORE SHIPPING.

OPTIONAL EQUIPMENT:
VARIOUS CRANE CONFIGURATIONS ( SEE PAGE 4 ) .
VARIOUS CRANE CONTROL TYPES & LOCATIONS . - REMOTELY LOCATED. - CAB MOUNTED JOY STICK TYPE . - OPEN AIR RIDE AROUND TYPE. - RADIO CONTROLS .
BOOM, GANTRY AND OTHER LIGHTING .
BOOM MAINTENANCE WALKWAYS.
CRANE SMART WIRELESS LOAD AND/OR RADIUS INDICATORS .
CRANE SMART WIRELESS ANTI TWO - BLOCK.
POWER UNITS CAN BE CRANE MOUNTED OR REMOTELY LOCATED.
POWER UNITS: ELECTRIC MOTOR OR DIESEL ENGINE .
DIESEL ENGINE STARTER SYSTEMS: ELECTRIC, AIR OR HYDRAULIC.
ELECTRIC MOTOR STARTER AND SOFT START SYSTEM .
AIR / HYDRAULIC OIL HEAT EXCHANGER.
17-4 PH STAINLESS STEEL, HEAT TREATED, CHROME PLATED CYLINDER RODS.
440C STAINLESS STEEL, HEAT TREATED PINS.
FAST LINE WINCH DESIGNED FOR PERSONNEL HANDLING.
EMERGENCY LOAD LOWERING SYSTEM.
ABS OR OTHER THIRD PARTY CERTIFICATION .
VARIOUS OTHER OPTIONS AVAILABLE UPON REQUEST.

Covington—PH: 985-892-0056

Lafayette—PH: 337-321-6900

Houston—PH: 832-532-7768

www.gulfcraneservices.com



## MODEL GC10-60S

LOAD RADIUS (FT.)	BOOM ANGLE (DEG.)	ONBOARD LOAD (LBS.)	OFFBOARD LOAD (LBS.)	BOOM ANGLE (DEG.)	ONBOARD LOAD (LBS.)	OFFBOARD LOAD (LBS.)	OTM (FT-LBS)	AXIAL LOAD (LBS)	RADIAL LOAD (LBS)	TORQUE (FT-LBS)
<b>LIFT CAPACITY CHART FULLY EXTENDED</b>				<b>LIFT CAPACITY CHART FULLY RE-TRACTED</b>			<b>MAXIMUM PEDESTAL REACTIONS - BASED ON API SPEC.2C 7TH ED. FACTORED LOADS</b>			
6	80.2	38700	36800				<b>MAXIMUM OVERTURNING MOMENT</b>			
9				81.4	27,500	18,400	1175600	43500	1000	27800
10	73.8	38,400	25,400	80.5	26,500	17,700	<b>MAXIMUM AXIAL LOAD</b>			
15	65.3	28,400	18,700	75.7	21,600	14,200	512,100	109,700	1,800	10,000
20	45.1	22,900	15,000	70.8	18,000	11,700				
25	45.7	18,200	11,800	65.8	15,300	9,900				
30	32.7	14,600	9,400	60.5	13,200	8,500				
35	0.0	12,200	7,800	54.9	10,200	6,500				
40				48.9	8,900	5,600				
45				42.3	7,800	4,900				
50				34.5	7,000	4,300				
55				24.7	6,300	3,900				
60				0.0	5,600	3,300				

Covington—PH: 985-892-0056

Lafayette—PH: 337-321-6900

Houston—PH: 832-532-7768

[www.gulfcraneservices.com](http://www.gulfcraneservices.com)



**MODEL GC10-60S**

LOAD RADIUS (Meters)	BOOM ANGLE (DEG.)	ONBOARD LOAD (KGS.)	OFFBOARD LOAD (KGS.)	BOOM ANGLE (DEG.)	ONBOARD LOAD (KGS.)	OFFBOARD LOAD (KGS.)	OTM (N-m)	AXIAL LOAD (KGS)	RADIAL LOAD (KGS)	TORQUE (N-m)
<b>LIFT CAPACITY CHART FULLY EXTENDED</b>				<b>LIFT CAPACITY CHART FULLY RETRACTED</b>			<b>MAXIMUM PEDESTAL REACTIONS - BASED ON API SPEC.2C 7TH ED. FACTORED LOADS</b>			
1.829	80.2	17,554	16,692				<b>MAXIMUM OVERTURNING MOMENT</b>			
2.743				81.4	12,474	8,346	1,593,900	19,731	454	37,692
3.048	73.8	17,418	11,521	80.5	12,020	8,029	<b>MAXIMUM AXIAL LOAD</b>			
4.572	65.3	12,882	8,482	75.7	9,798	6,441	694,314	49,759	816	13,558
6.096	45.1	10,387	6,804	70.8	8,165	5,307				
7.620	45.7	8,255	5,352	65.8	6,940	4,491				
9.144	32.7	6,622	4,264	60.5	5,987	3,856				
10.668	0.0	5,534	3,538	54.9	4,627	2,948				
12.192				48.9	4,037	2,540				
13.716				42.3	3,538	2,223				
15.240				34.5	3,175	1,950				
16.764				24.7	2,858	1,769				
18.288				0.0	2,540	1,497				

Covington—PH: 985-892-0056

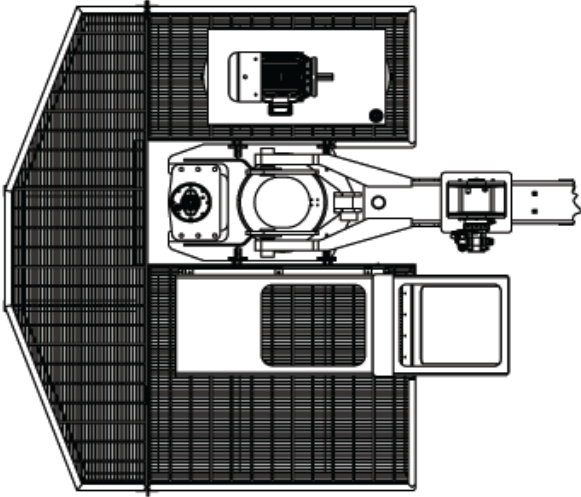
Lafayette—PH: 337-321-6900

Houston—PH: 832-532-7768

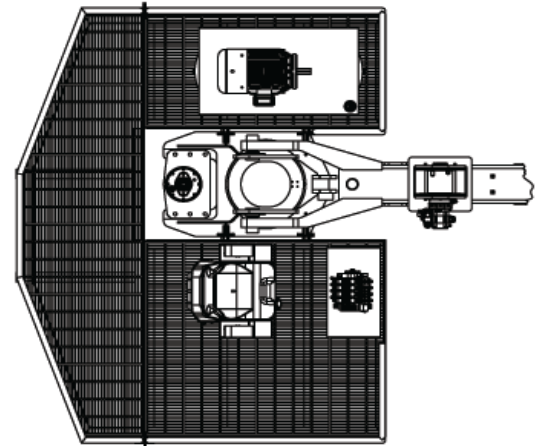
[www.gulfcraneservices.com](http://www.gulfcraneservices.com)



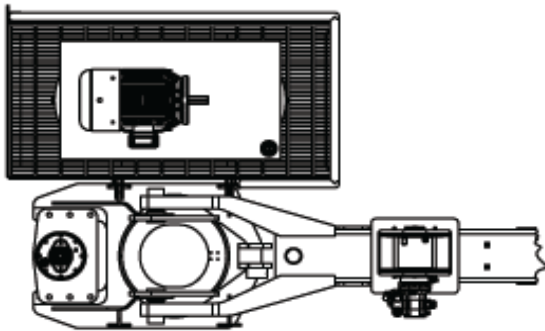
OPERATORS CAB ONBOARD  
POWER WITH PLATFORMS



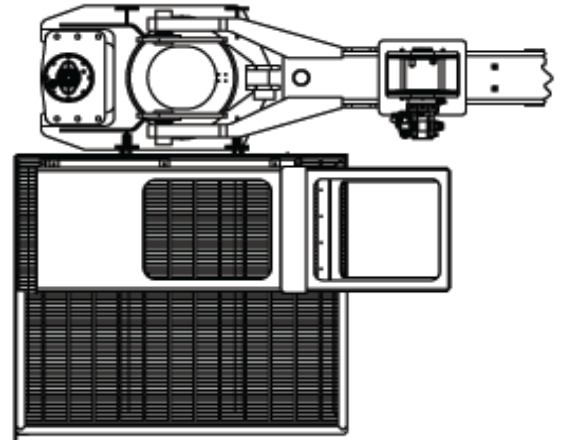
RIDE AROUND ONBOARD POWER  
WITH PLATFORMS



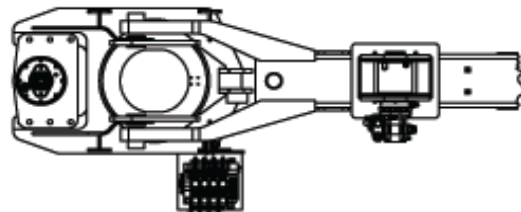
WALK AROUND CONTROLS  
ONBOARD POWER



OPERATORS CAB WITH PLATFORM  
REMOTE POWER



WALK AROUND CONTROLS REMOTE POWER



Covington—PH: 985-892-0056  
Lafayette—PH: 337-321-6900  
Houston—PH: 832-532-7768  
[www.gulfcraneservices.com](http://www.gulfcraneservices.com)

